



SSC030, 040 & 045 CUBE ICE MAKERS



SSC030, 040, 045

- 13g cube ice ideal for use by restaurants, hotels, licensed bars, juice bars, take away outlets and health care facilities
- 18/8 grade stainless steel cabinets with integrated food grade polyethylene storage bin



SSC030, 040 & 045 CUBE ICE MAKERS

Specifications

Power

Voltage – 240-50Hz

Amps – SSC030 1.7 – SSC040 2.1

– SSC045 2.3

Refrigerant

R404a

Shipping Weight

SSC030 55x63x81 (56kg)

SSC040 55x63x81 (60kg)

SSC045 55x63x92 (64kg)

Water Supply Requirements

3/4" BSP male stop cock

Drainage

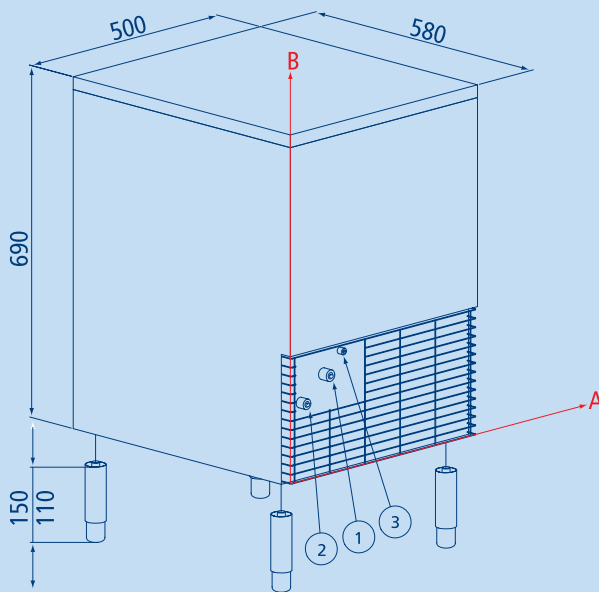
Floor waste within 1 metre of machine

Note! Must be below machine outlet

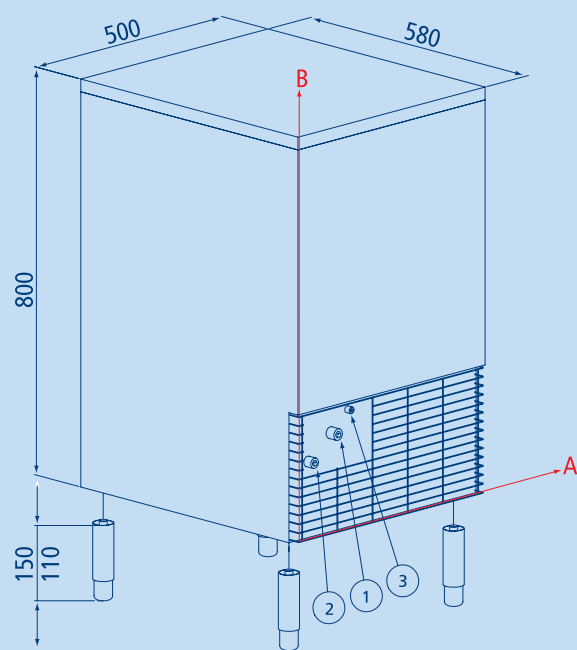
Ice Making Capacity (kg/24hours)

	Production	Storage
SSC030	33	16
SSC040	42	16
SSC045	46	25

	Water In (1)		Drainage (2)		Power In (3)	
	A	B	A	B	A	B
SSC030	111	193	49	151	156	232
SSC040	111	196	49	151	156	232
SSC045	111	196	49	151	156	232



SSC030 & SSC040



SSC045

Continuing product improvement may necessitate changes of specifications without notice.

Distributed By

For more information or the name
of your local sales agent call:

Stuart Manufacturing

1 Jayelem Crescent Padstow NSW 2211

Sales 1300 301 380 • General Enquiries 02 9773 3711

Facsimile 02 9773 4400 • Email ice@stuman.com.au

Website www.stuman.com.au