

Industrial Cylinder Heated Drying Ironers with Length Folding LSRP and Rear Return LSRA



FEATURES

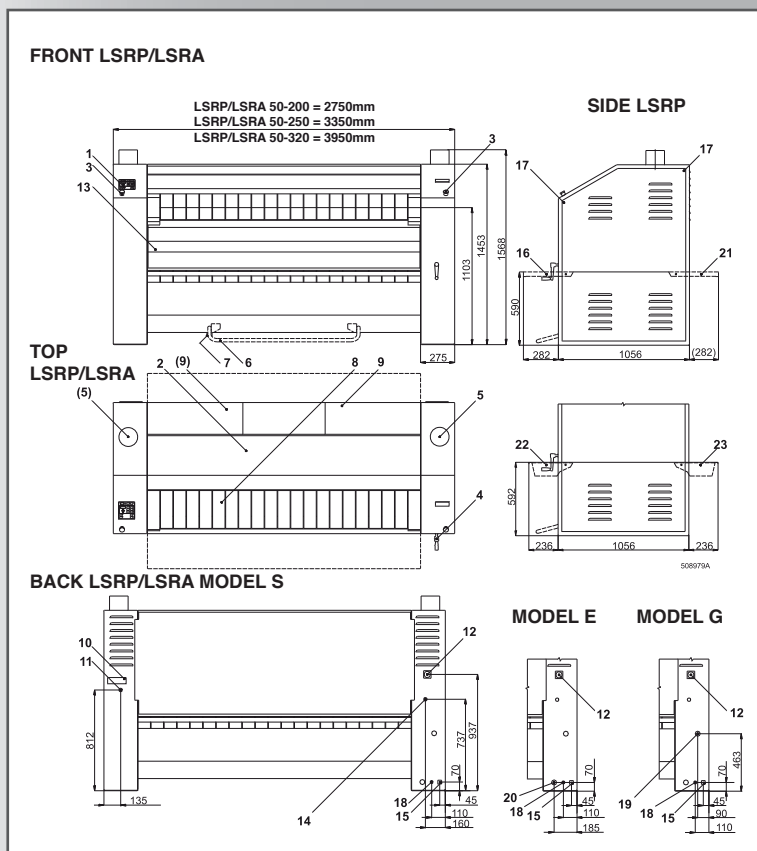
- Large surface contact with linen over an angle of 300 °
- Chrome-plated cylinder for a better thermal conduction
- Finger protection and emergency button for more safety
- Durable NOMEX ironing belts
- Automatic cooldown
- Easy to operate microprocessor: 20 pre-set ironing programmes
- Indication of ironing speed and temperature
- Reverse mode possible
- Variable setups for folding
- LSRP model: integrated length folder model
- LSRA model: rear return
- Frequency-controlled motors
- Easy to remove lint filters
- Standard anti-static bar
- Easyfold® system requires less maintenance (no ribbons and rolls)
- Electric, gas or steam heating

OPTIONS

- Foot pedal for easy start and stop operation
- Front return (LSRP)
- Output table (LSRP)

| TYPE | | LSRP/LSRA 5020 | LSRP/LSRA 5025 | LSRP/LSRA 5032 |
|-------------------------------|----------------|--|----------------|----------------|
| ROLLER DIAMETER | mm | 500 | 500 | 500 |
| USEFUL ROLER LENGTH | mm | 2000 | 2500 | 3200 |
| HEATING | | | | |
| Electrical heating | kW | 38 | 55 | 65 |
| Gas heating | kW | 36 | 52 | 66 |
| Steam heating | kg/h | 49 | 68 | 88 |
| MOTOR | | | | |
| Roller motor | kW | 0,37 | 0,37 | 0,37 |
| Fan motor | kW | 0,18/0,255 | 2x0,18/0,255 | 2x0,18/0,255 |
| CAPACITY* | | | | |
| Residual moisture | kg/h | 50 | 70 | 90 |
| | | 40% | 40% | 40% |
| ROLLER SPEED | m/min. | 1,5-8 | 1,5-8 | 1,5-8 |
| ELECTRIC CONNECTION | | 3x380-415V+N 50/60Hz 3x208-240V 50/60Hz | | |
| DIMENSIONS | | | | |
| HxWxD | mm | 1568x2750x1185 | 1568x3350x1185 | 1568x3950x1185 |
| TRANSPORT DATA | | | | |
| Gross weight (Create packing) | kg | 1520 | 1700 | 2000 |
| Net weight | kg | 1290 | 1440 | 1680 |
| Create packing | m ³ | 7,67 | 9,2 | 10,76 |
| Create packing HxWxD | mm | 1900x2976x1356 | 1900x3576x1356 | 1900x4176x1356 |

* The mentioned capacities are only indicated values while the capacity is dependent on the residual moisture, the kind of linen, ironing temperature, pressure of the ironing bed, condition of the surface and the skill of the operators (idem for consumption)



1. Control panel
2. Upper cover
3. Centralstop
4. Manual drive of roller
5. Exhaust ventilation
6. Pedal used for starting/stopping belts movement (according to order, only for version OPL)
7. Pedal microswitch (according to order, only for version OPL)
8. Feeding belts/feeding table
9. Cover of filter sieve
10. Name plate
11. Condense drain G3/4" (only for version "S")
12. Main switch
13. Upper trough
14. Steam supply G3/4" (only for version "S")
15. External protective connector
16. Output tilting table - front
17. Bolts of side cover
18. Main supply of electric power
19. Gas supply G3/4" (only for version "G")
20. Power supply for heating system (only for version "E")
21. Output tilting table - rear (according to order)
22. Output tilting trough - front
23. Output tilting trough - rear

Lavamac preserves the right to change the machines and the specification in this leaflet at any time, without prior notice. Details and photographs are only for information and never binding.

www.lavamac.eu



06-2009/532456