

High Spin Industrial Washer Extractors

LH 230, LH 230 PRO

FEATURES

- Freestanding, high spin
- Front and top panels from stainless steel (LH 230)
- Stainless steel cabinet (LH 230 PRO)
- Stainless steel drum and tub
- Graphitronic® - new graphic display with almost unlimited possibilities as:
 - Communication interface enabling remote service
 - Multilingual microprocessor
 - Freely programmable
- Large door opening (Ø42 cm) for easy loading and unloading
- Large drain valve (Ø76 mm)
- Easy access to all parts
- Liquid soap connections
- Frequency controlled motor
- Patented soap hopper and drain valve (Liqui-Mix® system)
- PowerWash® perforated lifting ribs: more mechanical action, lower water consumption
- Possibility to connect up to 6 inlets of liquid detergents - EasySoap®

OPTIONS

- Stainless steel cabinet (LH 230)
- SoftWash® version (wet cleaning)
- Liquid soap pumps
- Trace-Tech® traceability software and networking system
- Patented soap dispenser with four removable compartments on the front (LH 230 PRO)
- Coin operated machine with Easy Control microprocessor (LH 230)

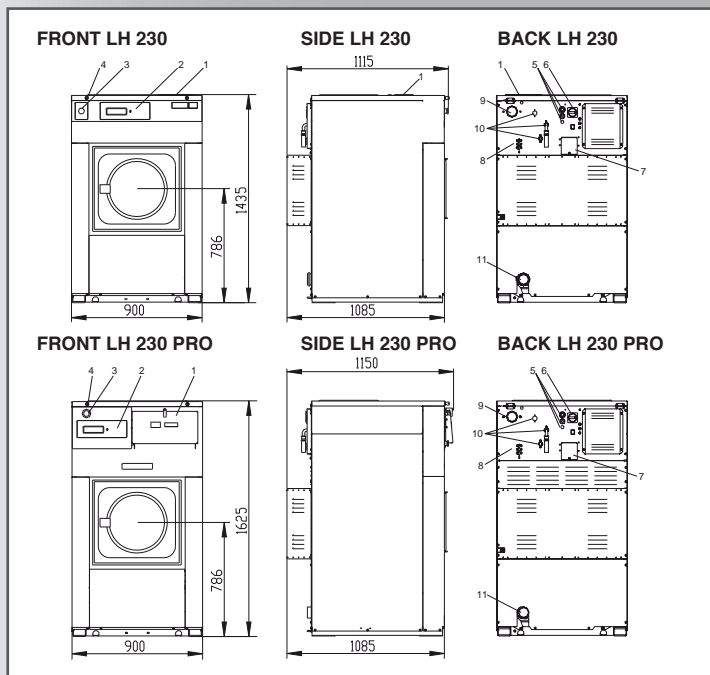


LH 230 COIN



LH 230 PRO

TYPE		LH 230	LH 230 PRO
CAPACITY			
Drum volume	l	220	220
Capacity	kg	22	22
Drum diameter	mm	Ø750	Ø750
MOTOR			
Frequency controlled		standard	standard
DRUM SPEED			
Wash speed	rpm	42	42
Spin speed	rpm	860	860
G-factor	rpm	310	310
PROGRAMMER			
Graphitronic® Full control microprocessor		standard	standard
Easy Control microprocessor		standard on coin version	-
CABINET			
Coloured side panels		standard	-
Stainless steel AISI 304		+	standard
SAFETY FIXING			
		4xM10	4xM10
HEATING			
100% hot water	°C	90	90
	°F	194	194
100% electrical	kW	18	18
Steam high pressure	bar	3-8	3-8
CONNECTION			
Electrical		1x220-240V 50/60Hz 3x220-240V 50/60Hz 3x380-415V 50/60Hz 3x380-415V+N 50/60Hz 3x440-480V 50/60Hz	1x220-240V 50/60Hz 3x220-240V 50/60Hz 3x380-415V 50/60Hz 3x380-415V+N 50/60Hz 3x440-480V 50/60Hz
Water inlet	inch	3/4"	3/4"
Steam inlet	inch	1/2"	1/2"
DIMENSIONS			
HxWxD	mm	1435x900x1115	1625x900x1150
TRANSPORT DATA			
Gross weight	kg	690	750
Net weight	kg	650	670
Packing volume	m ³	1,9	2,5
Packing dimension HxWxD	mm	1620x975x1200	1920x1030x1280
Standard = Standard version			



1. Soap hopper
2. Keyboard
3. Emergency stop
4. Key switch
5. Electrical connection
6. Main Switch
7. Electrical connection to liquid soap
8. Liquid soap pump connection
9. Air vent tub
10. Water connection
11. Drain valve

Lavamac preserves the right to change the machines and the specification in this leaflet at any time, without prior notice. Details and photographs are only for information and never binding.

www.lavamac.eu



06-2009/532444