

Electrolux Dishwashing

Glasswasher GW1

The Electrolux Dishwashing range is produced for customers with the highest conceivable demands for good efficiency, economy and ergonomics. The product range comprises glasswashers, undercounter dishwashers, hood type dishwashers, rack type dishwashers, flight type dishwashers and pot and pan washers. The GW1 glasswasher has the capacity to wash 1400 glasses per hour.



FUNCTIONAL AND CONSTRUCTION FEATURES:

- Low water consumption of 2.4lt per cycle.
- 120 seconds fixed cycle.
- Glasses, cups and crockery up to a height of 310mm can be washed due to the ample loading height.
- Washing temperature 55° to 65°C and rinse temperature 80° to 90°C.
- Double-walled washing chamber and tank.
- Separate washing and rinsing circuits.
- The GW1 incorporates a rinse aid dispenser for connection to external container.
- Load bearing frame, side and front panels and tank in 304 AISI stainless steel. Wash arms and jets in polypropylene.
- Electric cable and the hose for water connection supplied as standard.
- In compliance with the CE requirements.

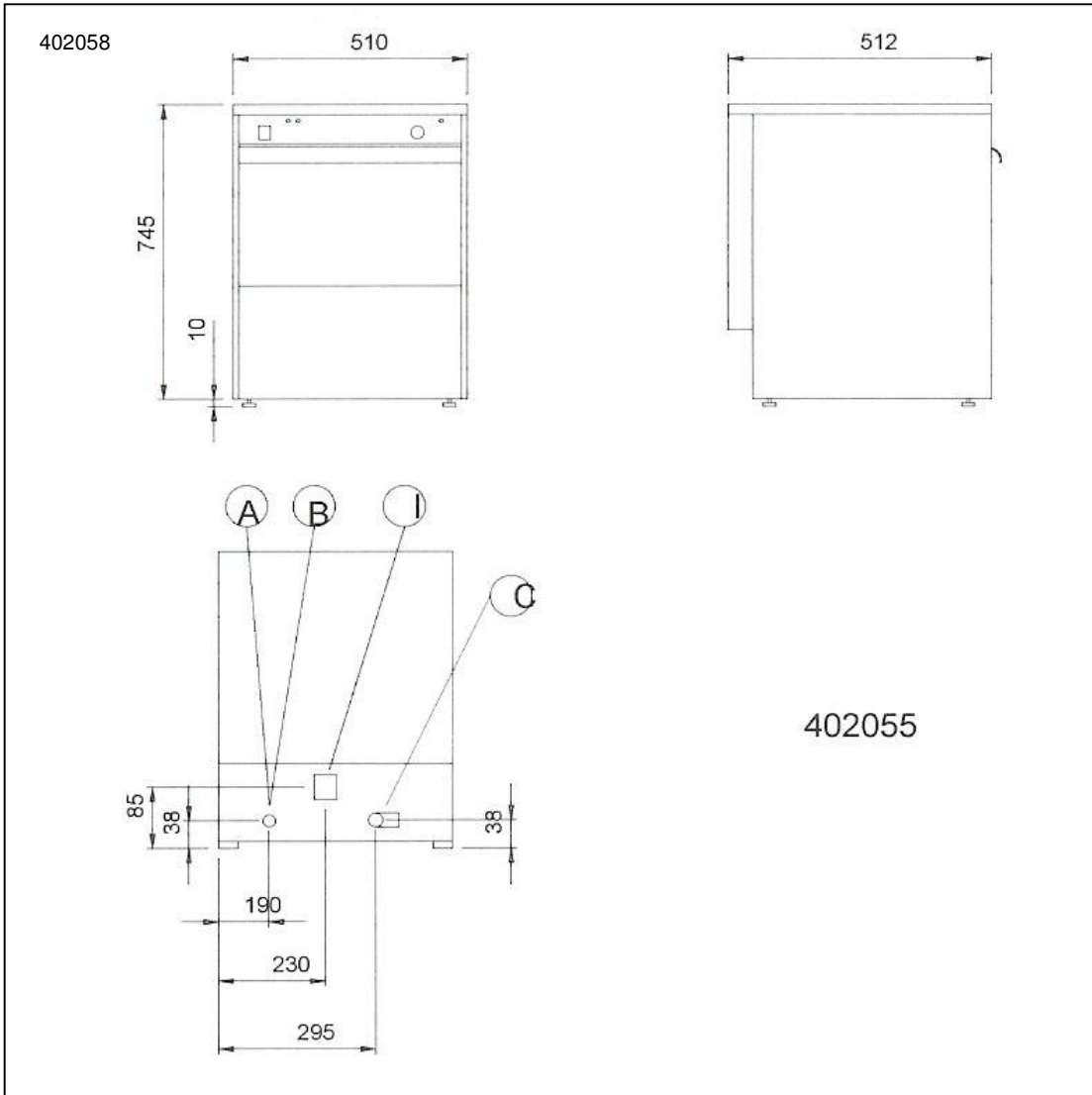
TECHNICAL DATA	GW1 402058
Number of cycles	1
Basket capacity/h	30
External dimensions – mm	
Width	510
Depth	512
Height	745
Duration cycles – sec.	120
Cell dimensions – mm	
Height	310
Washing cycle	
Temperature - °C	55-65
Tank capacity – lt.	12
Power pump – kW	0.55
Electrical elements – kW	2
Hot rinse cycle	
Duration – sec.	15
Temperature - °C	80-90
Water consumption – lt/cycle.	2
Boiler capacity – lt.	3.25
Boiler elements – kW	2.4
Water supply	
Pressure – Kpa (If over 300Kpa a pressure reduction valve is required)	200-300
Temperature - °C (If over 50°C a tempering valve is required)	10
Hardness - °f	7-14
Power – kW	
Total power	2.6
Supply voltage	240 V, 1N, 50
Noise level – dBA	58
Net weight – kg.	42
ACCESSORIES	
STANDARD GLASS RACK 14" x 14"	001362

☆ Declared actual cycle duration times can extend when water supply temperature is lower than indicated



Thinking of you
Electrolux

Electrolux Dishwashing Glasswasher GW1



LEGEND	GW1 402058
B – Hot water inlet	G $\frac{3}{4}$ "
C – Water drain	25mm
I – Electrical connection	240V, 1N, 50
S – Connection for detergent dispenser	1

FOR DETAILS OF NEAREST AUTHORISED DEALER – CONTACT YOUR LOCAL STODDART OFFICE

QUEENSLAND 215 JACKSON ROAD, SUNNYBANK HILLS QLD 4109 PHONE: +61 7 3344 2444 FAX: +61 7 3345 6403

NEW SOUTH WALES UNIT S / 10-16 SOUTH STREET, RYDALMERE NSW 2116 PHONE: +61 2 8846 5999 FAX: +61 2 8846 5900

VICTORIA 4/35 TAUNTON DRIVE, CHELTENHAM VIC 3192 PHONE: +61 3 9584 5677 FAX: +61 3 9584 6744

SOUTH AUSTRALIA PHONE: 1300 79 1954

WESTERN AUSTRALIA PHONE: 1300 79 1954

