



Lockable castors

The Vertical Glass Door merchandisers are ideal for the display of dairy products, beer, bottles, cans, fruit drinks etc. The sides can be decalced (*additional charges apply POA*)

Features include:

- Large, bright lightbox
- Adjustable shelves
- Robust construction
- Bottom mounted, easy access condensor
- Hinged doors


**GM0440L**
**Glass Door Chiller with lightbox**
**GM0700L**
**Glass Door Chiller with lightbox**

Standard Features:

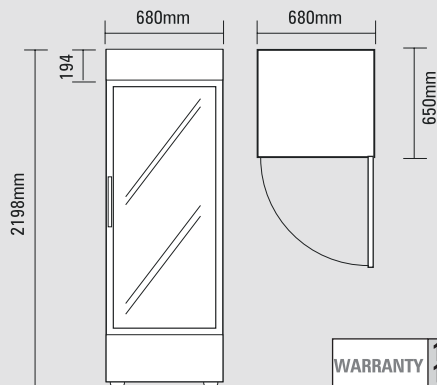
- Internal lighting for maximum product display
- Durable PVC coated adjustable shelves
- Corrosion resistant outer body
- Adjustable temperature control (+1 to +10°C)
- Tempered thermo glass door with aluminium frame
- Double glazed door to reduce condensation

Standard Features:

- Internal lighting for maximum product display
- Durable PVC coated adjustable shelves
- Corrosion resistant outer body
- Adjustable temperature control (+1 to +10°C)
- Tempered thermo glass door with aluminium frame
- Double glazed door to reduce condensation

**GM0440L**

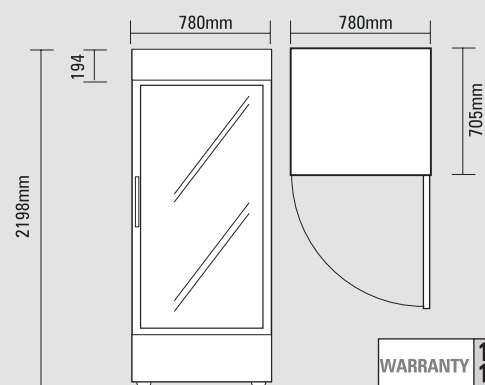
Bromic Part Number	3735038
Capacity - Gross (litres)	438L
Dimensions - w/o castors (mm)	680w x 650d x 2080h
Height with castors (mm)	2198
Temperature range (°C)	+1 to +10°C
Max. ambient temp. /RH	40°C / 65%
Temperature display	Digital
Number of doors	1 hinged
Door Material	Double glazed thermo glass
Light Box	Yes
Interior light	Flourescent
Number of shelves	5
Refrigeration Power (watts)	390W
Current (Amps)	3.3A
Gross weight (kg)	105kg
Refrigerant	R134a
Colour	White



WARRANTY	1 yr PARTS
	1 yr LABOUR

**GM0700L**

Bromic Part Number	3735042
Capacity - Gross (litres)	655L
Dimensions - w/o castors (mm)	780w x 705d x 2080h
Height with castors (mm)	2198
Temperature range (°C)	+1 to +10°C
Max. ambient temp. /RH	40°C / 65%
Temperature display	Digital
Number of doors	1 hinged
Door Material	Double glazed thermo glass
Light Box	Yes
Interior light	Flourescent
Number of shelves	5
Refrigeration Power (watts)	485W
Current (Amps)	3.8A
Gross weight (kg)	150kg
Refrigerant	R134a
Colour	White



WARRANTY	1 yr PARTS
	1 yr LABOUR