

• 'B42G' & 'B42P' •
Professional Glass & Dish Washers
for the Cocktail Bar or Coffee Lounge.



The professionals in integrated
glass and dishwashing systems



- **'B42G' Glasswasher with Cold Pre-rinse/Glass Cool-down** •
- **'B42P' Dishwasher ...perfect for a Bar or Coffee Lounge** •
- **Built in Accordance with ANZFA and Plumbing Safety Regulations** •

Performance to Match Your Needs:

With a capacity to wash up to 1200 mixed items or glasses per hour, the Eswood 'B42P' professional dishwasher is the perfect choice for your bar, cafe or coffee lounge. For the hustle and bustle of a cocktail or lounge bar, the 'B42G' provides the additional efficiency of a selectable cold rinse cycle which can be utilised as a pre-rinse for those hard-to-move milk or juice based beverages, or to cool down beer glasses for a faster turnaround.

Suits All Popular Wash Rack Sizes:

The large wash chamber has been designed to accept all popular wash rack sizes, including 400 x 400mm and 430 x 430mm as well as 430 x 360mm wire glass racks. A generous 240mm clear chamber height easily caters for tall stem glassware, jugs and plates. An impact resistant 400mm x 400mm moulded polypropylene rack is supplied as standard. Optional polypropylene racks with individual glass compartments are available where required.

Fully Automatic Continuous Operation: Simply select an appropriate wash cycle time and push the start button. Your Eswood washer will do the rest, from wash to final rinse, including automatic detergent injection. The 'B42G' has an additional cold rinse cycle which may be selected before or after a normal wash. Operator safety is assured as the machine cannot operate until the door is securely closed.

Powerful Recirculating Wash System: Eswood's powerful wash system combines multiple jets on a rotating lower wash arm (plus fixed overhead jets on the 'B42P') to produce a fast yet spotless wash every time. The hygienic 82°C fresh water final rinse is effectively directed from multiple jets on rotating arms located above and below the wash rack.

Built-in Hot Water Booster Heaters: Automatic water temperature monitoring and fast booster heaters ensure correct water temperature is maintained for hygiene and optimum cycle times during continuous use. Both models can operate continuously when connected to a suitable hot water supply.

Convenient Loading Height: The door opening height is designed to provide a safe and convenient loading and unloading position requiring minimal bending.

Easy-care Removable Components: For fast and simple internal cleaning, all removable items are easily accessible from the front of the machine. Wash and rinse arms, filter screen and overflow tube are all removable without tools.



Quality Endorsed Company
Head Office
ISO9002 Lic 2290
Standards Australia

Designed and Built to Eswood's Quality Endorsed Standards:

Eswood dishwashers are built to the highest quality manufacturing standards and in accordance with Health and Plumbing Safety Regulations. The long-life stainless steel cabinet has an attractive and easy to clean satin finish. All internal components are manufactured from selected high-durability materials to ensure outstanding service under constant commercial use.

Model 'B42G' & 'B42P' Specifications

Hourly Capacity	Up to 1200 glasses/items per hour
Wash Cycle Time	Variable (1 to 2.5 minutes)
Dwell/Rinse Cycles	4 seconds/16 seconds
'B42G' Cold Rinse	8 seconds
'B42G' Std Equipment	1 x 400 x 400mm Glass Rack
'B42P' Std Equipment	1 x 400 x 400mm Glass/Cup Rack + 1 Cutlery Container + 1 Plate Insert

Wash Pump, Tank & Element

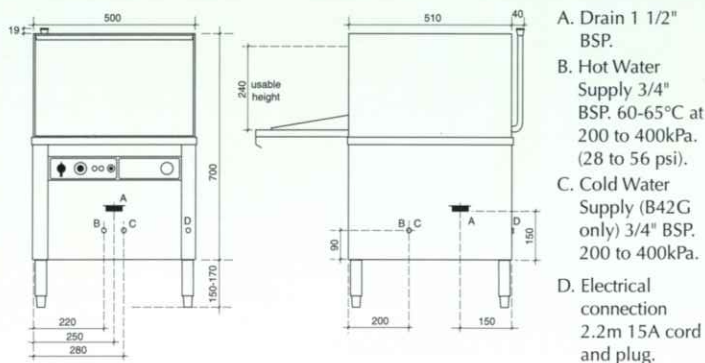
Wash Pump Motor	260 watts
Wash Tank Capacity	12 litres
Wash Tank Heater	250 watts
Wash Temperature	60° - 65°C

Rinse Tank & Element

Rinse Tank Capacity	8 litres
Rinse Tank Heater	2400 watts
Rinse Temperature	82°C
Water Consumption	3.0 litres per cycle
Cold Rinse Consumption	3.0 litres per cycle ('B42G' only)

Electrical & Water Connections

Electrical Input	240V/50Hz/1 phase/14A max
Hot Water Input	65°C min. @ 200 to 400 kPa
Hot Water Inlet	Hose with 3/4" BSP fitting
Drain Outlet	1 1/2" BSP gravity
Net Weight	50 kg



ABN 74 000 100 845 - ABN 87 002 481 521

Group Sales: 211-213 Woodpark Rd, Smithfield NSW 2164
Telephone (02) 9604 7333 Facsimile (02) 9604 5420
Vic (03) 9553 1355. Qld (07) 3891 1466.
SA (08) 8238 3423. WA (08) 9456 0559.

Proudly Distributed by

Goldstein Eswood continually strive to improve all of our products, therefore specifications may be amended from those printed in this brochure without notice. Publication ESW7856.1003